

# Firebreak FX600 Service Sleeves

## PRODUCT DATA SHEET

# Slimline, easy-to-fit fire protection sleeves for plastic pipes

Firebreak FX600 Service Sleeves comprise a range of devices designed to fit around combustible plastic pipes where these penetrate fire-rated walls. Under fire conditions the intumescent material lining the inside of the Sleeve expands to fill any gap developing as the pipe is consumed – thereby maintaining the fire resistance of the wall.



### Key features and benefits

- Slim body construction with length of 220mm in a simple-to-use, one-piece wrap-around design
- Available to fit pipes with diameters from 25mm to 160mm
- Made of corrosion-resistant stainless steel with no mechanical fixings to the wall required
- Easy to install – either before service installation or as a retrofit
- One sleeve required per opening
- Independently fire tested to BS EN 1366-3 with pipes in U/U configuration
- Provides up to two hours fire resistance in 100mm thick flexible walls, solid walls and stone wool batts
- Maintenance free and can be used with a range of different types of plastic pipe
- Unaffected by moisture

### Typical applications

Firebreak FX600 Service Sleeves are ideal for the fire sealing of resultant openings around many types of combustible plastic pipes where these penetrate fire-rated walls.

Firebreak FX600 Service Sleeves can be used in a variety of commercial buildings including offices, warehouses and industrial units, and in public sector buildings such as hospitals and

health centres, sports and leisure facilities and schools, colleges and universities.

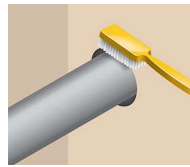
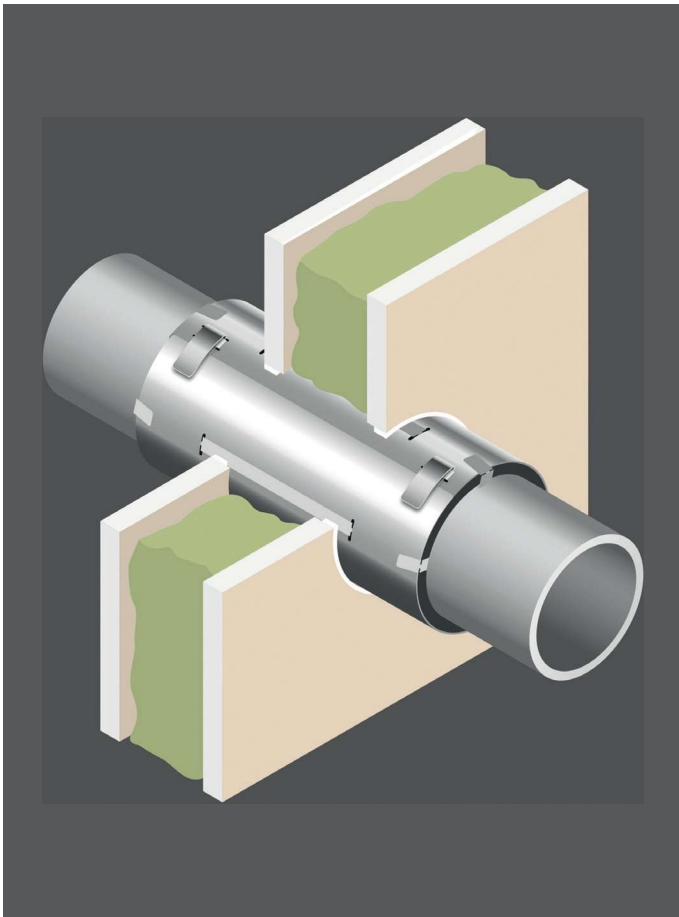
### Packaging

Firebreak FX600 Service Sleeves are supplied as single units to fit the following pipe diameters: 40mm, 55mm, 63mm, 75mm, 82mm, 90mm, 110mm, 125mm, 140mm and 160mm.

All sleeves are 220mm in length.

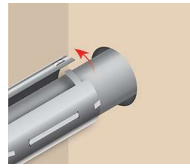
### Pipe / Service Sleeve size compatibility

| Pipe outer diameter Ø (mm) | FX600 Service Sleeve outer diameter Ø (mm) |
|----------------------------|--|
| 40                         | 54   |
| 55                         | 69   |
| 65                         | 79   |
| 75                         | 89   |
| 82                         | 96   |
| 90                         | 112  |
| 110                        | 132  |
| 125                        | 147  |
| 140                        | 174  |
| 160                        | 194  |

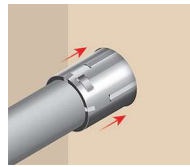


**Installation**

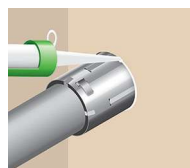
- Clean away all dirt and loose materials



- Wrap the sleeve around the pipe and close sliding the clips through the buckles and bending back



- Locate the sleeve to protrude equal distances on both sides of the partition



- Use Firebreak 22 Fire Resistant Sealant to seal any annular gap (up to 20mm) between the sleeve and the surrounding partition

**Maintenance**

Once installed maintenance is not required. It is recommended that the seal should be inspected periodically for possible damage. All penetrations seals which are subsequently modified should be made good using Firebreak 22.

**COMPLEMENTARY PRODUCTS**

**Firebreak 22**

Fire-resistant, water-based, acoustic acrylic sealant

**Firebreak Compound**

Single-pack material fire-resistant mortar

**Firebreak Batts**

Fire-resistant, stone mineral wool flexible boards



*Since the product is applied under circumstances beyond our control, Neutron Fire Technologies Limited can accept no direct or consequential liability whether in contract or in tort, for the interpretations of such recommendations and reserves the right to modify the recommendations as necessary.*