

Firebreak FX200 Sealstrip

TECHNICAL DATA SHEET

Firebreak FX200 Sealstrip is designed to maintain the fire resistance of floor and walls when penetrated by plastic pipes. Under fire conditions the intumescent strip material expands to many times its original thickness exerting pressure on the softening pipe and closing the opening with a dense block of fire resistant char.

Description

FX200 Sealstrip consists of a continuous ten metre roll of durable intumescent material in a self-dispensing box, allowing the installer to cut the required length of strip on site.

Fire performance

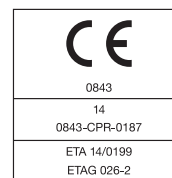
FX200 Sealstrip is tested to the latest European requirements for applications in walls and floors. Testing to other national standards is also available.

- Fire classification to EN 13501-2 and CE Mark (ETA 14/0199)

- Flexible walls (stud partitions) or rigid walls (masonry, concrete) of 100mm minimum thickness
- Rigid (concrete) floors of 150mm minimum thickness
- All testing undertaken using uncapped pipes (U/U) with specification applicable to all types of plastic pipe end uses including ventilation pipes
- Mechanical and durability testing to ETAG 026-2; Y₂ (internal use within full ambient

temperature range inclusive of temperatures less than 0°C)

- Third party product certification with UL International (Certificate # UL-EU-00597)

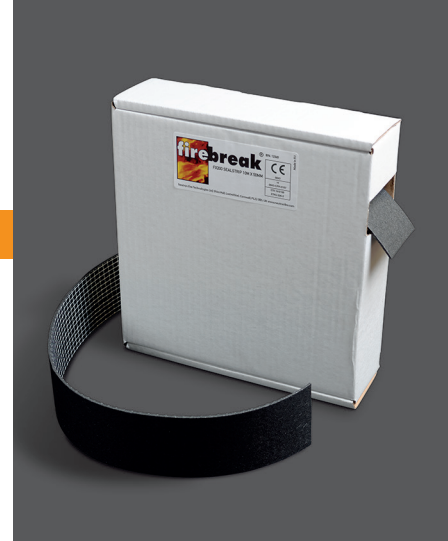


Firebreak FX200 Sealstrip in partitions or masonry/concrete walls of minimum thickness 100mm

Penetrating service	Pipe outside diameter (mm)	Pipe wall thickness (mm)	Required layers of Sealstrip	Fire performance (mins)		
				Integrity (E)	Integrity & insulation (EI)	
PVC-U pipes (EN 1329-1, EN 1452-2, EN 1453-1)	20-55	2.0	1	120	90 (120**)	
	56-110	3.7-6.6	2	90	90	
	56-110	6.6	2	120	90	
	56-110	6.5	3	120	120	
	111-125	6.6	2	120	90	
	111-125	6.5	3	120	120	
	126-160	9.5	4	120	120	
	161-200	6.2	7	120	120	
	PE pipes (EN 1519-1, EN 12201-2, EN1266-1) ABS pipes (EN 1455-1) SAN+PVC pipes (EN 1565-1)	20-50	4.6	2	120	120
		51-90	5.1	3	120	120
MLCP pipes		16	2.0	1	120	120
	17-40	4.0	1	90	60	
Copper/steel pipes + 19mm combustible nitrile rubber insulation	12-54	0.8-14.2	2	60	60	
Telecoms cables bunch (<= 21mm)	Up to 100	N/A	2	120	30	
Telecoms cables bunch (<= 21mm) + 300mm wide Insulwrap*	Up to 100	N/A	2	120	90	

*Insulwrap is a 300mm wide x 5mm thick foil faced insulating wrap. It is fixed around the services on both sides of a seal in a single layer to increase the fire performance of the seal.

**Performance in partition/wall of minimum thickness 130mm.



Firebreak FX200 Sealstrip in masonry/concrete walls of minimum thickness 100mm

Penetrating service	Pipe outside diameter (mm)	Pipe wall thickness (mm)	Required layers of Sealstrip	Fire performance (mins)	
				Integrity (E)	Integrity & insulation (EI)
Steel pipes + 13mm combustible nitrile rubber insulation	12–48	0.8–14.2	2	240	180
Steel pipes + 19mm combustible nitrile rubber insulation	12–114	2–14.2	3	240	90
Steel pipes + 25mm combustible nitrile rubber insulation	12–220	6.4–14.2	4	240	45

Firebreak FX200 Sealstrip in partitions or masonry/concrete walls of minimum thickness 150mm

Penetrating service	Pipe outside diameter (mm)	Pipe wall thickness (mm)	Required layers of Sealstrip	Fire performance (mins)	
				Integrity (E)	Integrity & insulation (EI)
PVC-U pipes (EN 1329-1, EN 1452-2, EN 1453-1)	20–55	2.0	2	240	240
	20–82	3.3	2	120	120
PE pipes (EN 1519-1, EN 12201-2, EN1266-1) ABS pipes (EN 1455-1) SAN+PVC pipes (EN 1565-1)	20–55	3.2	2	120	120
Copper/steel pipes + 19mm combustible nitrile rubber insulation	12–25	0.8–14.2	1	120	120
Type C3** cables bunch (<= 21mm)	Up to 100	N/A	1‡	120	120
Type A3** cables bunch up to 15mm diameter (<= 21mm)	Up to 100	N/A	1‡	120	120

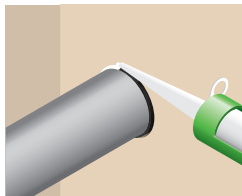
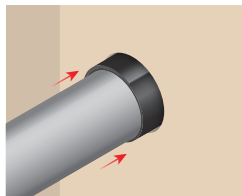
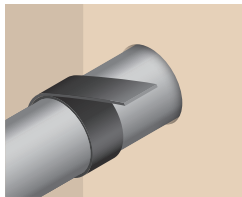
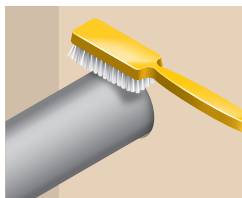
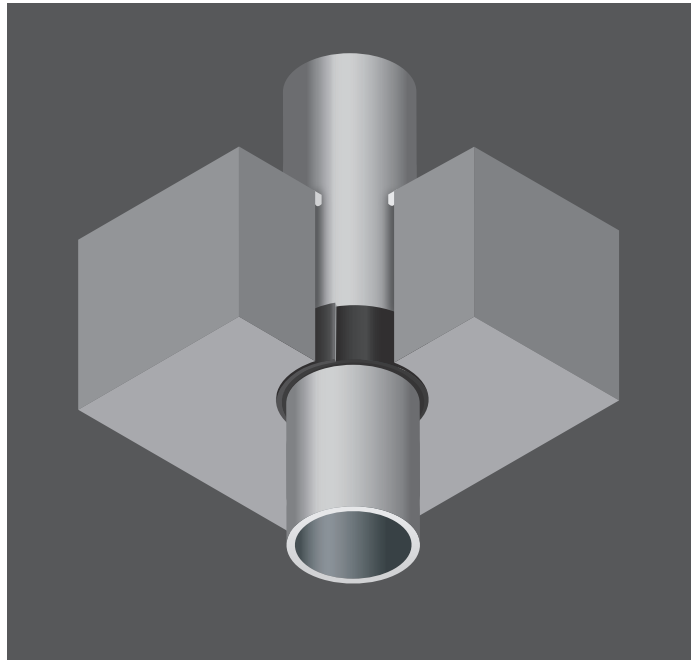
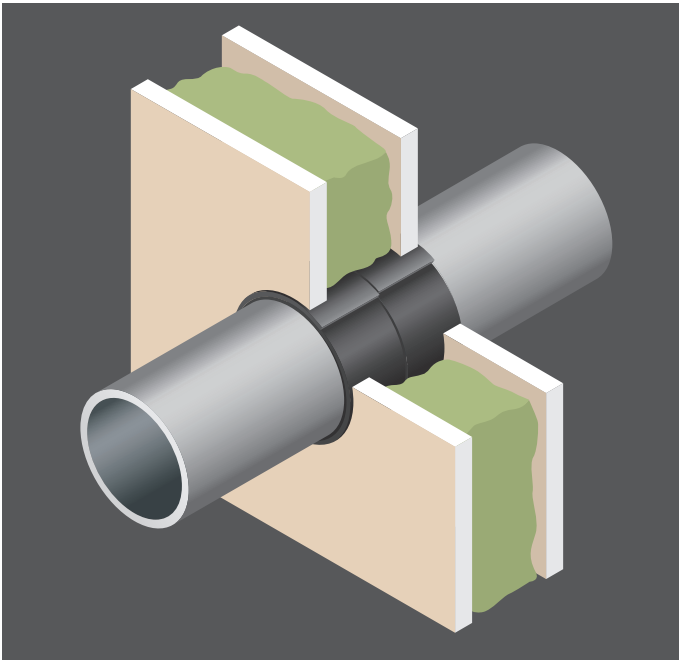
** Cable F reference from BS EN 1366-3: 2009 – table A1.

‡ 1# 75mm wide or 2# adjacent 50mm wide bands of Sealstrip positioned centrally to the depth of the wall and space between and around the cables filled with Firebreak 44 Foam.

Firebreak FX200 Sealstrip in concrete floors of minimum thickness 150mm

Penetrating service	Pipe outside diameter (mm)	Pipe wall thickness (mm)	Required layers of Sealstrip	Fire performance (mins)	
				Integrity (E)	Integrity & insulation (EI)
PVC-U pipes (EN 1329-1, EN 1452-2, EN 1453-1)	20–40	2.0–3.0	1	240	190
	41–55	2.1–3.0	1	240	240
	56–82	3.3	2	60	60
	56–110	3.0	3	240	240
	111–160	3.2	6*	240	240
PE pipes (EN 1519-1, EN 12201-2, EN1266-1) ABS pipes (EN 1455-1) SAN+PVC pipes (EN 1565-1)	20–40	3.7	1	240	240
	20–55	2.0	1	240	240
	56–75	3.0	2	240	–
	56–110	6.6	2	240	240
	56–125	4.8	2	240	240
MLCP pipes	16	2.0	1	240	240
	17–40	4.0	1	240	60
Steel pipes + 13mm combustible nitrile rubber insulation	12–48	0.8–14.2	2	240	240
Steel pipes + 19mm combustible nitrile rubber insulation	12–114	2.0–14.2	3	240	90
Steel pipes + 25mm combustible nitrile rubber insulation	12–220	6.4–14.2	4	240	90

*1 # 75mm wide or 2# adjacent 50mm wide bands of Sealstrip positioned flush to the soffit.



Installation

- The wall or floor should be of solid construction
- Ensure the opening around the pipe is of sufficient size to allow for the correct positioning of the Sealstrip
- Clean away all dirt and loose materials
- Cut the Sealstrip to the required length
- Position the Sealstrip around the pipe and secure it to itself using the self-adhesive tab
- Slide along the pipe and position within the depth of the wall/floor so that the edge is flush with the exposed face of the wall or soffit of the floor
- In the case of walls repeat the procedure on the other side of the wall
- Seal any openings around the Sealstrip to the full depth of the wrap using Firebreak 22 sealant or for larger openings Firebreak Compound

End use considerations

Whilst Firebreak FX200 Sealstrip is intended for internal use, it has been subjected to mechanical and durability testing and the intumescent material is not effected by moisture. The product is also suitable for use at temperatures below 0°C.

Maintenance

No routine maintenance is required although periodic inspection for possible damage is recommended.

Storage

It is recommended to store in dry conditions between 5°C and 40°C.

Shelf life

Unlimited when stored under recommended storage conditions.

Health and safety

Please refer to safety data sheet before use.



Since the product is applied under circumstances beyond our control, Neutron Fire Technologies Limited can accept no direct or consequential liability whether in contract or in tort, for the interpretations of such recommendations and reserves the right to modify the recommendations as necessary.

